

## DF6100-EH Doppler Handheld Ultrasonic Flow Meter

**Series DF6100-EH Doppler Handheld Ultrasonic Flow Meter** is designed to measure volumetric flow of within closed conduit, the pipe line must be full of liquids, and there must be a certain amount of air bubbles or suspended solids in liquid.

The Doppler ultrasonic flow meter can display flow rate and flow totalizer, etc., and is configured with 4-20mA, Relays for Totalizer and Alarm outputs



### Features:

- ◆ It is suitable for pipe sizes ranging from 25 to 4000mm
- ◆ For dirty liquids, a certain amount of air bubbles or suspended solids shall be contained
- ◆ Excellent low flow rate measurement ability, low to 0.05m/s
- ◆ A wide range of flow measurement, high flow rate can reach 12m/s
- ◆ High-temperature transducer is suitable to liquids of  $-35^{\circ}\text{C} \sim 200^{\circ}\text{C}$
- ◆ Do not need to shut down the pipe flow when installing the transducers
- ◆ User-friendly configuration
- ◆ 4-20mA, Relay Totalizer and Relay Alarm outputs
- ◆ Accuracy: 2.0% Calibrated span
- ◆ Rechargeable battery can work up to 14 hours

### Applications:

- ◆ Raw sewage
- ◆ Activated sludge
- ◆ Ground water
- ◆ Pulp and paper slurries
- ◆ Chemical slurries
- ◆ Drainage
- ◆ Mining recirculation

### Technical Parameters:

#### Specifications: Transmitter

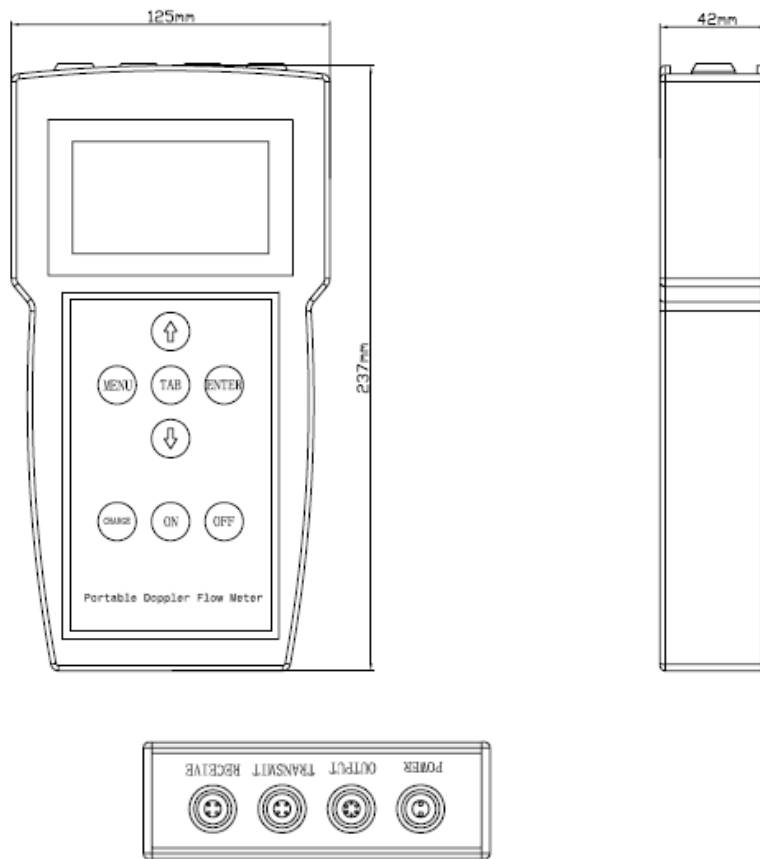
Measurement principle	Doppler ultrasonic
Flow velocity range	0.01 to 12 m/s, bi-directional
Resolution	0.25mm/s
Repeatability	0.2% of reading
Accuracy	0.5% -- 2.0% F.S.
Response time	2-60s for optional
Flow Velocity Range	0.05- 12 m/s
Liquid Types Supported	Liquids containing 100ppm of reflectors and at least 20% of the reflectors are larger than 100 micron.
Power Supply	AC: 85-265V
Enclosure type	Handheld
Degree of protection	IP65 according to EN60529
Operating temperature	-20°C to +60°C
Housing material	ABS
Measurement Channels	1
Display	2 line x 8 characters LCD, 8-digit rate or 8-digit total (resettable)
Units	User Configured (English and Metric)
Rate	Rate and Velocity Display
Totalized	gallons, ft <sup>3</sup> , barrels, lbs, liters, m <sup>3</sup> ,kg
Communication	4-20mA,relays for Totalizer and alarm output
keypad	6pcs buttons
Size	Transmitter:235X125X45mm case:410X320X80mm
Weight	Transmitter: 0.6kg

#### Specifications: Transducer

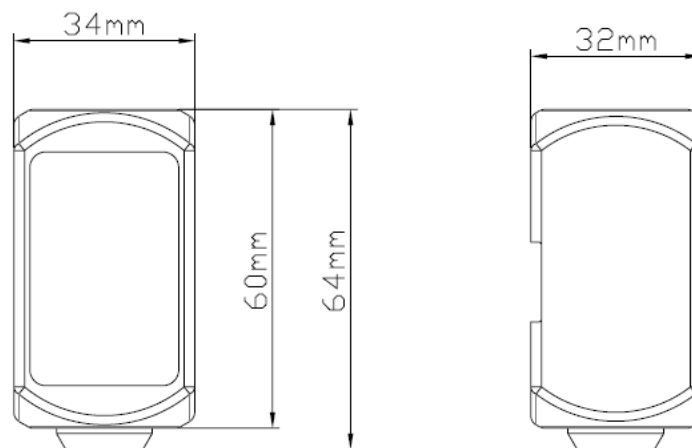
Transducers Type	Clamp-on
Degree of protection	IP65. IP67 or IP68 according to EN60529
Suited Liquid Temperature	Std. Temp.: -35°C~85°C for short periods up to 120°C High Temp.: -35°C~200°C for short periods up to 250°C
Pipe diameter range	40-4000 mm
Transducer Size	60(h)*34(w)*33(d)mm
Material of transducer heads	Aluminum for standard temp. sensor,and peek for high temp. sensor
Cable Length	Std: 10m

### Dimensional Sketches

#### Transmitter:



#### Transducer:



Images:



### Configuration Code:

<b>DF6100-EH</b>	<b>Handheld Doppler Clamp-on Series Flowmeters</b>
<b>Power supply</b>	
A	85-265VAC
<b>Output Selection 1</b>	
N	N/A
1	4-20mA
2	Relay for Totalizer
3	Relay for Alarm
<b>Output Selection 2</b>	
Same as above	
<b>Sensor Type</b>	
S	Standard Clamp-on transducer (DN40-4000)
<b>Transducer Temperature</b>	
S	-35 ~ 85°C (for short periods up to 120°C)
H	-35 ~ 200°C ( Only for S,M sensor. )
<b>Pipeline Diameter</b>	
DNX	e.g.DN40—40mm, DN4000—4000mm
<b>Cable length</b>	
5m	5m (standard 5m)
Xm	Common cable Max 300m(standard 5m)
XmH	High temp. cable Max 300m

**DF6100-EH – A – 1 /LDH– S – S – DN100 – 5m (example configuration)**

### EQUITY SERVICES & SOLUTIONS CO.,LTD.

267/96-97, Sukhumvit Rd., Maptaphut,  
Mueng-rayong, Rayong, Thailand, 21150

Tel :+66 3860 9200  
 Fax :+66 3860 9201  
 Mobile :+66 94 324 1594,+66 80 563 9146  
 LinkedIn : Manorom Chiewpanich  
 Email : manorom@esspower.com  
 : sukhontaros@esspower.com

[www.esspower.com](http://www.esspower.com)



**EQUITY SERVICES & SOLUTIONS CO.,LTD.**